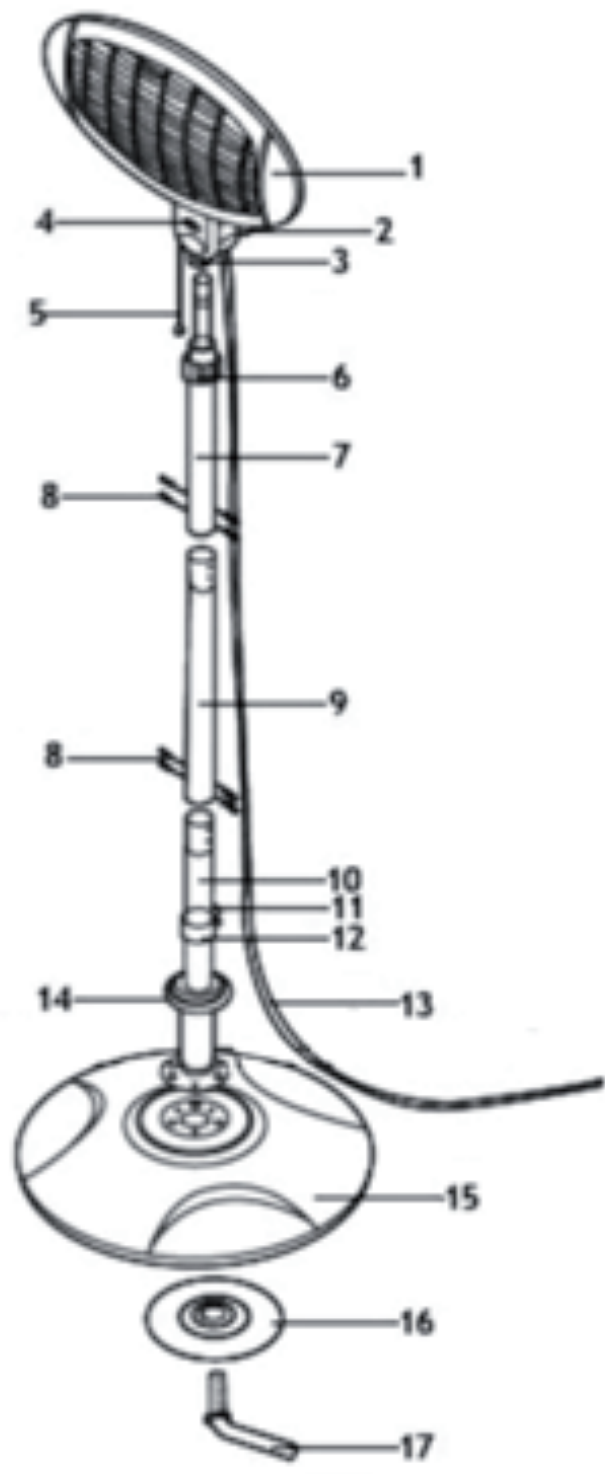


User Manual
PATIO HEATER
WITH QUARTZ HEATING ELEMENT

Version 2022
Item no. 2140UK



Contents

Before using the device	4
Delivery contents	4
Intended use	4
For your safety	4 - 6
Signal symbols	4
General safety instructions	4
Safety instructions	4 - 5
Before first use	6
Assembly	6 - 7
Preparation	6
Required tools	6
Assembling the patio heater	6 - 7
Setting up the patio heater	8
Selecting the heat level	8
Cleaning and maintenance	8
Technical data	8
Disposal	8
Declaration of conformity	8
Service	8
Distributor	8

