



Operating Manual Gas Fireplace „TOPEKA XL“



**ONLY FOR WEATHER-PROTECTED OUTDOOR AREAS!
THE USE OF THIS DEVICE IN AN ENCLOSED SPACE CAN BE
DANGEROUS AND IS FORBIDDEN!**

Version 2021
Item No 3189-UK

Contents

Before using the device	3
Scope of delivery	3
Intended use	3
For your safety	4-5
Signal symbols	4
General safety instructions.....	4
Safety instructions	4-5
Before first use	5
Assembly	5 - 6
Preparation	5
Required tools	6
Assembling the fireplace	5 - 6
Connecting the Gas Bottle	7
Regulator and Hose.....	7
The Gas Bottle.....	7
Connection to the fireplace	7
Checking for Gas Leaks	7
Inserting the battery	8
Setting up the fireplace	8
Operation	8
Ignition system.....	8
Maintenance and Cleaning	8
Troubleshooting	8
Disposal	9
Declaration of conformity	9
Technical details	9
Service	9
Distributor	9

Before using the fireplace

After unpacking and before every use, check whether the item shows any signs of damage.

Should this be the case, do not use the item, but notify your retailer.

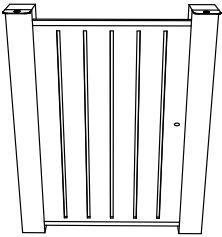
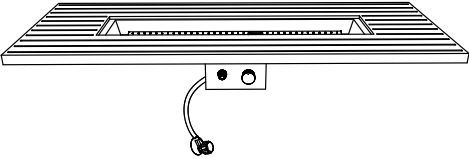
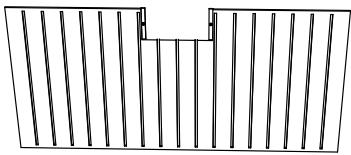
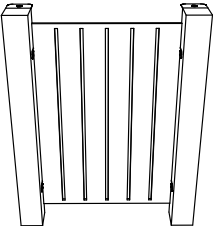
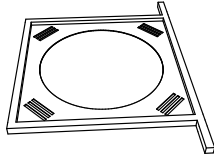
The operating manual is based on the norms and regulations that are applicable in the European Union. In non-EU countries, observe country-specific directives and laws!

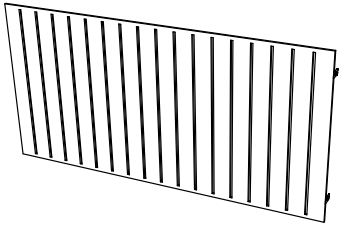








Before start-up, first read through the safety information and the operating manual carefully. Only by doing so will you be able to use all of the functions safely and reliably.

Keep the operating manual and pass it on to any third party that might own the fireplace after you.

Scope of delivery

No.	Part	Qty.
A		1
B		1
C		1
D		1
E		1

No.	Part	Qty.
F		1
G		1
H		1
	Protective glass (not shown)	4
No.	Fastener	Qty.
1	 6x16mm	12
2	 8x10mm	4
3	 6x20mm	12
4	 8x20mm	4
	Cover (not shown)	1
	Glass stones (not shown)	

Please check that the delivery is complete and undamaged. Should a part be missing or defective, please contact your dealer.

Claims relating to damages or missing parts made after assembly has taken place or commenced will not be recognised.

Intended use

This gas-powered fireplace is mainly used for decorative purposes and secondarily for heating sheltered outside areas - such as terraces or the like.

Only use the item as described in this operating manual. All other uses are considered improper and can lead to material damage or even to personal injuries.

The manufacturer accepts no liability for damages caused by improper use.

This gas fireplace is only suitable for private use.

For your safety

Signal symbols

Danger High risk!

Failure to observe the warning can lead to potentially fatal injuries.

Attention Moderate risk!

Disregarding this warning can lead to property damage.

Caution Low risk!

Facts that should be respected when handling the device.

GENERAL SAFETY INSTRUCTIONS

- to be observed in each use

- **ONLY FOR WEATHER-PROTECTED OUTDOOR AREAS!**
- **The use of this device in an enclosed space can be dangerous and is FORBIDDEN!**
- **Read the operating instructions before using the device.**
- **ATTENTION! Accessible parts can be very hot. Keep children away.**
- **Do not move the device during operation.**
- **After use, shut off the gas supply on the gas bottle.**
- **When using and maintaining the device, national rules and regulations may have to be observed.**

Do not use the device in:

Rooms

Cellars, basements and rooms that are below ground level

Recreational vehicles such as caravans / mobiles and boats

Do not use charcoal or any other fuel on this device. The gas fireplace must never be operated with fuel other than liquid gas (propane / butane).

No part of the device is suitable as a grill surface.

SAFETY INSTRUCTIONS

Danger Fire hazard!

Parts of the device become very hot during operation and can cause fires.

- It is essential that you have a fire extinguisher and first-aid kit ready and be prepared for an accident or fire.
- Place the device on an even, horizontal, secure, heat-resistant and clean surface.
- Set up the device with at least 1 m clearance from highly flammable materials such as awnings, wooden patios or furniture.
- Do not move the device during use.
- Before each change of location, the device must be switched off and the gas bottle removed from the device.
- Do not leave the device unattended during operation.
- Do not use sprays near the device.

Danger Fire hazard!

Do not cover the device to prevent overheating.



Under no circumstances may the device be covered with clothing, blankets, insulating or similar material.

Danger Risk of burning and accidents!

This device is not intended for use by persons (incl. children) with limited physical, sensory, or mental capacities or lacking experience and/or lacking knowledge.

Such persons must be informed about the dangers of the device and supervised by a person responsible for their safety.

- Any changes to the product represent a major safety hazard and are prohibited. Please do not make any changes to the device yourself!
- Keep children and pets away from the device.

The device becomes very hot during use. Any contact can result in serious burns.

- Keep sufficient distance from the hot parts, since any contact can lead to severe burns.
- Let the device cool down completely before cleaning and/or storage.
- Please note that various components can store heat and so can still lead to burns after using the device.

Danger Risk of poisoning and suffocation!

In addition to generating heat, the combustion of propane / butane generates small amounts of carbon monoxide (CO).

- **The use of this device in an enclosed space can be dangerous and is FORBIDDEN!**

Danger Risks to children!

While playing, children can become caught in the packaging film and choke.

- Do not let children play with the packaging films.

Danger Risk of injury

Do not set up the device near entrances or in high-traffic areas.

- Always be attentive to and aware of what you are doing. Do not use this product if you are unfocused or tired, or if you are under the influence of drugs, alcohol, or medications. Just one moment of carelessness during use of the product can lead to serious injuries.

Attention Risk of damage!

Do not use any strong or grinding solvents or abrasive pads, since these can attack the surfaces and leave behind scrape marks.

Danger Risk of burning and accidents!

Caution! If you detect the smell of gas:

- Immediately close the gas intake of the gas bottle.
- Extinguish all open flames.
- Do not operate any electrical devices.
- Ventilate the surrounding area.
- Carry out a leakage point test, as described in this operating manual.

Danger Risk of burning and accidents!



Do not store the device in immediate proximity to combustibles (e.g. petrol) or other flammable liquids or gases.

- The gas bottle must be separated from the device during storage.
- Replace the gas cylinder in a flame-free environment.

Danger Risk of burns and injury!



Do not make any changes to the device. Use only original accessories.

- Any change to the device, especially to the gas-carrying parts, is strictly forbidden, leads to the immediate expiry of the guarantee and can also be dangerous!
- For your own safety, only use accessories and additional devices that are expressly specified in the operating instructions or recommended by the manufacturer.

Danger Risk of burns and injury!



No part of the protection against accidental contact may be permanently removed.

- The contact protection serves to prevent fire hazards and burns.
- Danger! It does not offer full protection for small children and frail people!

Danger Risk of explosion!



Do not use the device in potentially explosive atmospheres with substances such as flammable liquids, gases and especially paint and dust mist. These substances can ignite from hot surfaces of the device.

Danger Risk of injury!



Failure to follow the instructions can lead to problems and hazards when using the device.

- Follow all the instructions listed here.

Before first use

Check whether the scope of delivery is complete and in perfect condition.

Contact your dealer immediately if the scope of delivery is incomplete or defective.

Do not operate the device if it is defective.

Assembly

Preparation

Danger Risk of injury!



Failure to follow the instructions can lead to problems and hazards when using the gas fireplace.

- Follow all of the assembly instructions listed here.

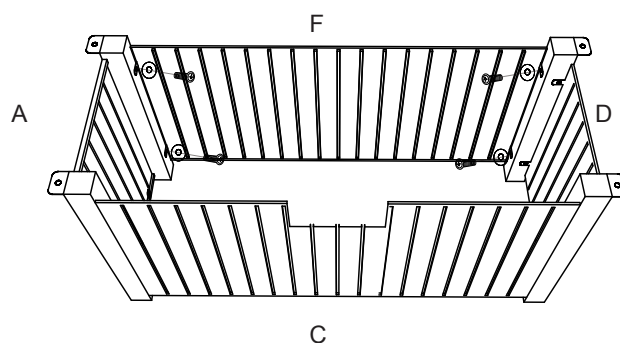
Required tools

- 1 x Phillips screwdriver
- 1 x adjustable spanner

Assembling the fireplace

1. First read through the assembly instructions completely.
2. Allow yourself enough time for assembly and find an even working space of two to three square meters.
3. Place the necessary tools within reach. Small parts such as handles might be preassembled.
4. Two people are required for set up.

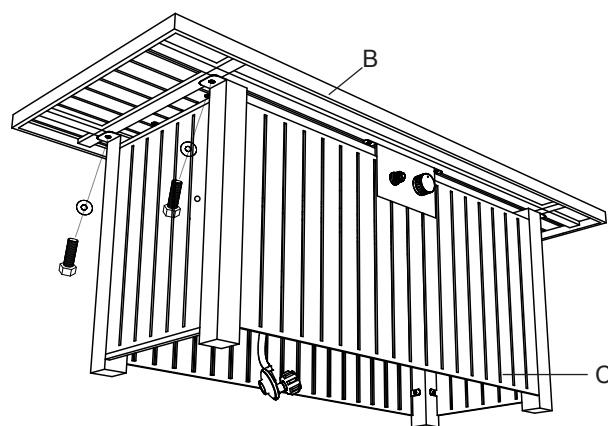
Step 1



Connect the front (C), rear (F) and side parts (A, D) with 8 screws (1) and 8 washers (3).

Do not fully tighten the screws yet.

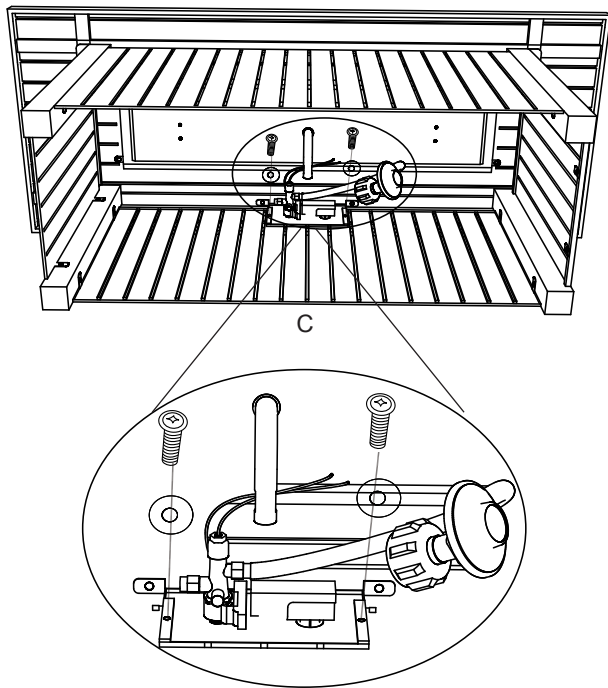
Step 2



Place the table top (B) on the frame.

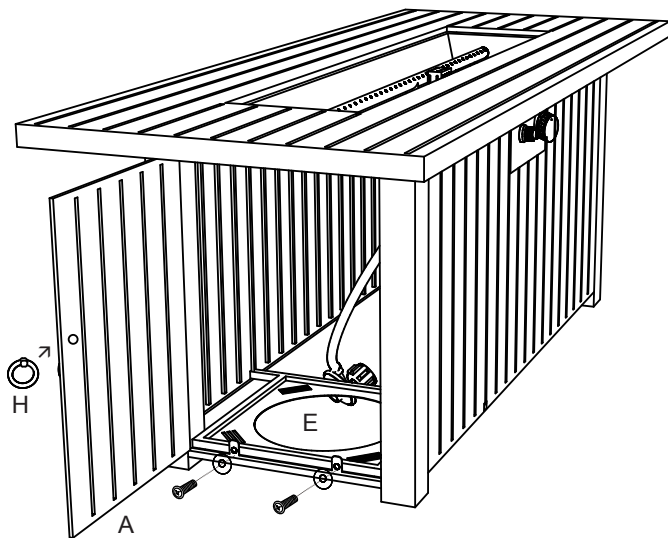
Fasten the table top with 4 screws (2) and 4 washers (4).

Step 3



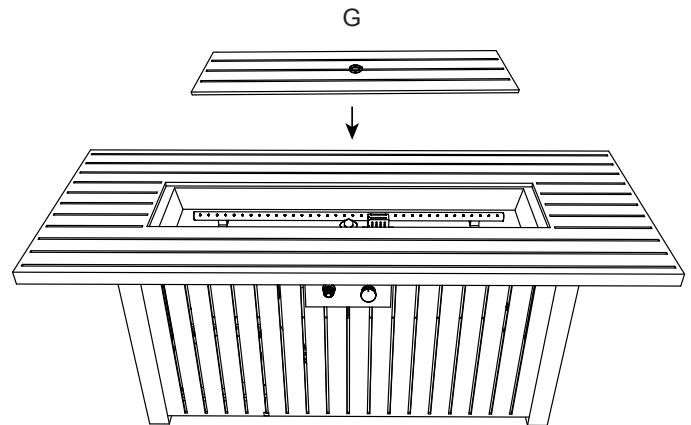
Fasten the front panel with 2 screws (1) and 2 washers (3) to the front (C).
Now tighten all the screws.

Step 4



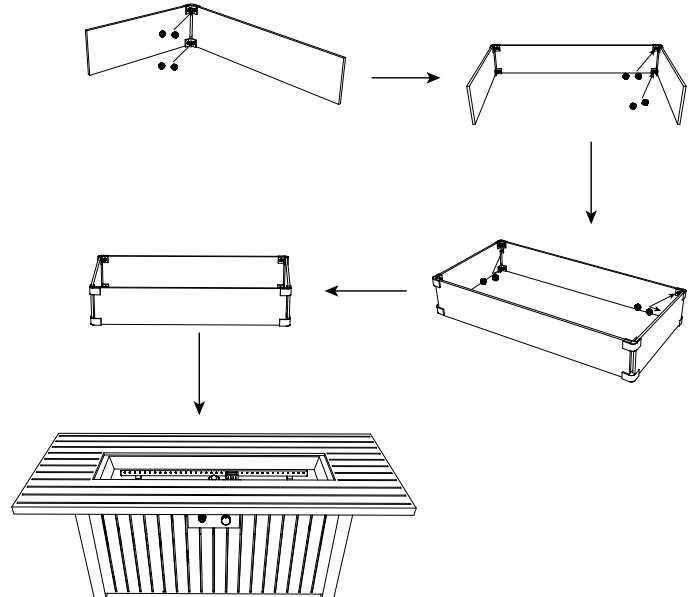
Open the door in the side part (A) and attach the gas bottle holder (E) to the threshold with 2 screws (1) and 2 washers (3). Hang in the handle (H).

Step 5



Place the lid (G) over the burner in the table top.

Protective glass



Connect the four protective glass parts.
Install this guard over the burner.
Do not use the device without the protective glass.

Place the glass stones (included) in the burner area.

The gas fireplace is now fully assembled and can be dismantled in the reverse order.

Important: All screws must be tightened securely.

Connecting the Gas Bottle

This device is suited only for low-pressure butane/propane gas and must be equipped with a suitable low-pressure regulator and a flexible hose. The gas hose must be connected with suitable hose clamps. This device is intended to operate a 28-30 mBar regulator with butane/propane gas. Use a suitable regulator that is certified according to BSEN 12864:2001. Inquire about suitable regulators for gas bottles at your LPG gas supplier. For the operation of this device, you require a commercially available 5 kg bottle of propane/butane gas.

Please note: The gas bottle and gas hose have a left-hand thread!

Regulator and Hose

These accessory parts are supplied with the device. Replacements are available at your fireplace distributor or an authorised LPG gas supplier. Use only regulators and hoses that are certified for LP gas with the pressure values mentioned. The lifespan of the regulator is approximately 2 years. It is recommended that the regulator be exchanged within 2 years from the production date.

The use of an incorrect or defective regulator and gas hose is dangerous. Before each use of the device, check that the correct parts are being used.

The gas hose used must conform to the regulations and provisions of the country in which the device is being used. The length of the gas hose must not exceed 1.5 metres. Worn or damaged hoses must be exchanged immediately. **The hose must be connected without twists or bends.** Ensure that the gas hose is not bent or constricted and that it does not come into contact with the device, with the exception of the hose connection.

Storing the fireplace

The fireplace must only be stored indoors, once the gas bottle has been removed. If the device is not being used for an extended period of time, it should be covered with a protective hood and stored in a dry and dust-free environment.

The Gas Bottle

A gas bottle is not supplied with this device. The gas bottle must be provided by the end user. Do not drop your gas bottle or handle it roughly or inappropriately.

When the device is not being used, the gas bottle must be separated from the device. Fit the gas bottle with its protective cap once it has been disconnected from the device. The gas bottle must be stored separate from the device.

The storage of gas bottles is not permitted in underground spaces, in stair wells, passageways and thoroughfares of buildings, or in their immediate vicinity. The valves must be fitted with valve protection caps and lock nuts. Gas bottles - including empty ones - must be stored upright.

Gas bottles must be stored outdoors in an upright position and out of reach of children. The gas bottle must not be stored in areas in which the temperature exceeds 50°C. Do not store the gas bottle near flames or other flammable sources. **Do not smoke in the vicinity of gas bottles!**

Connection to the fireplace

Place the gas bottle next to the device on the floor.

Danger! Do not keep a second gas bottle in the cupboard.

Before the gas bottle is connected to the device, you must ensure that there is no dirt in the heads of the gas bottle, the regulator, or the burner. Spiders and insects can get in there and thus block the burner or the venturi tube at the opening. A blocked burner can cause a fire underneath the device. Clean blocked burner openings using a sturdy pipe cleaner.

Warning! Attach one hand of the gas hose to the thread of the pressure regulator and tighten by hand; then, using a 17-mm jaw spanner, tighten it firmly.

Attention left-hand thread! Do not use any additional seal!

Attach the other end of the gas hose to the thread of the valve connection on the device, tightening by hand. Then tighten it firmly with the help of a 17-mm jaw spanner.

Attention left-hand thread! Do not use any additional seal!

Connect the pressure regulator to the gas bottle valve, tightening it by hand.

Follow the instructions included with the regulator.

Warning!

Prior to use test all connections for gas leaks.

Always perform the test using soapy water. Never use an open flame to detect leaks.

Checking for Gas Leaks

- Mix one part dishwashing liquid with 3 parts water. For testing, approx. 50 ml of soapy water is needed.
- Ensure that all temperature regulators are set to • (off).
- Connect the regulator with the gas bottle and turn on the burner using the left temperature regulator. Ensure that the connections are securely made.
- Turn on the gas intake.
- Apply the soapy water to the hose and to all connections. If bubbles appear, a leak is present.
- Fix the leak and then start the test again.
- Switch off the gas once the test has been concluded.
- If a leak is found and it cannot be repaired, do not attempt to repair the leak further. In this case, contact a professional.
- Do not use the device until the leak has been properly repaired.

Inserting a Battery

The battery compartment is located in the front panel next to the controller.

For automatic ignition of the flame it is necessary to put a 1.5V AA size battery (not included) in the device.

Remove the battery compartment cover and insert the battery. Pay attention to correct polarity (+/-). The positive pole of the battery must point outwards. Close the battery compartment by screwing the cover back on.

The battery compartment cover also functions as a push button for the piezo igniter. Inserting the battery makes it functional.

Setting up the fireplace

Attention Risk of damage!



During use, the screws can loosen slowly and impair the device's stability.

- Check the stability of the screws prior to each use. If necessary, tighten all of the screws again to ensure the device is standing securely.
- Before using the gas fireplace, set it up on a level, solid surface outdoors or in a sheltered area.

Operation

Danger Risk of explosion!



First read the following instructions for switching on / lighting and all warning and safety information before lighting the gas fireplace.

- Check the gas fireplace for cracks, cuts, or other damage before using it.
- Do not use the gas fireplace if the gas hose is damaged or porous.

Ignition system

1. Set the rotary switch to start. .
2. Open the gas bottle valve.
3. Press and hold the control dial for approx. 30 seconds.
4. Operate the piezo igniter (several times if necessary) until the pilot flame burns. When the burner has ignited, you can let go of the piezo igniter.
5. Press and hold the control dial for another 30 seconds.
6. You can set the power level by pressing and turning counter-clockwise.

Important! *If the burner does not ignite, turn off the cylinder valve on the gas cylinder. Wait 5 minutes and try again.*

7. To switch off the gas fireplace, turn off the gas bottle valve.

Maintenance and Cleaning

Danger Risk of burning!



Let the grill cool down completely before cleaning.

Danger Health risk!



Do not use any decolorants or thinners to remove stains. These are harmful to health and must not come into contact with food.

Attention Risk of damage!



Do not use any strong or grinding solvents or abrasive pads, since these can attack the surfaces and leave behind scrape marks.

- Clean the surfaces with a damp cloth.
- Use a soft, clean cloth for drying.
- If you are not going to use the device for a longer period of time, place it in a dry, dust-free place. Cover it with the supplied hood after it has cooled down completely so that it is protected from contamination, damage and malfunction.

Troubleshooting

Problem	Possible cause	Suggested solution
Burner won't ignite.	<ul style="list-style-type: none"> - LP gas bottle is empty - Defective regulator - Blockage in burner - Blockage in the gas nozzles or in the gas hose - Electrode cable loose or separated from electrode or ignition unit - Electrode or cable defective - Defective ignition switch 	<ul style="list-style-type: none"> - Replace with full LP gas bottle - Get the regulator tested or replace it - Cleaning the burner - Clean the gas nozzles and gas hose - Reconnect the cable - Replace the electrode or cable - Replace the ignition switch
Burner does not ignite with match	<ul style="list-style-type: none"> - LP gas bottle is empty - Defective regulator - Blockage in burner - Blockage in the gas nozzles or in the gas hose 	<ul style="list-style-type: none"> - Replace with full LP gas bottle - Get the regulator tested or replace it - Cleaning the burner - Clean the gas nozzles and gas hose
Small flame or flame blowback (fire in burner tube or a roaring noise can be heard)	<ul style="list-style-type: none"> - LP gas bottle is too small - Blockage in burner - Blockage in the gas nozzles or in the gas hose - Wind in gas fireplace area is too strong 	<ul style="list-style-type: none"> - Use larger gas bottle - Cleaning the burner - Clean the gas nozzles and gas hose - Position the gas fireplace in an area protected from the wind
Temperature regulator difficult to turn	<ul style="list-style-type: none"> - Gas valve blocked 	<ul style="list-style-type: none"> - Replace gas valve

